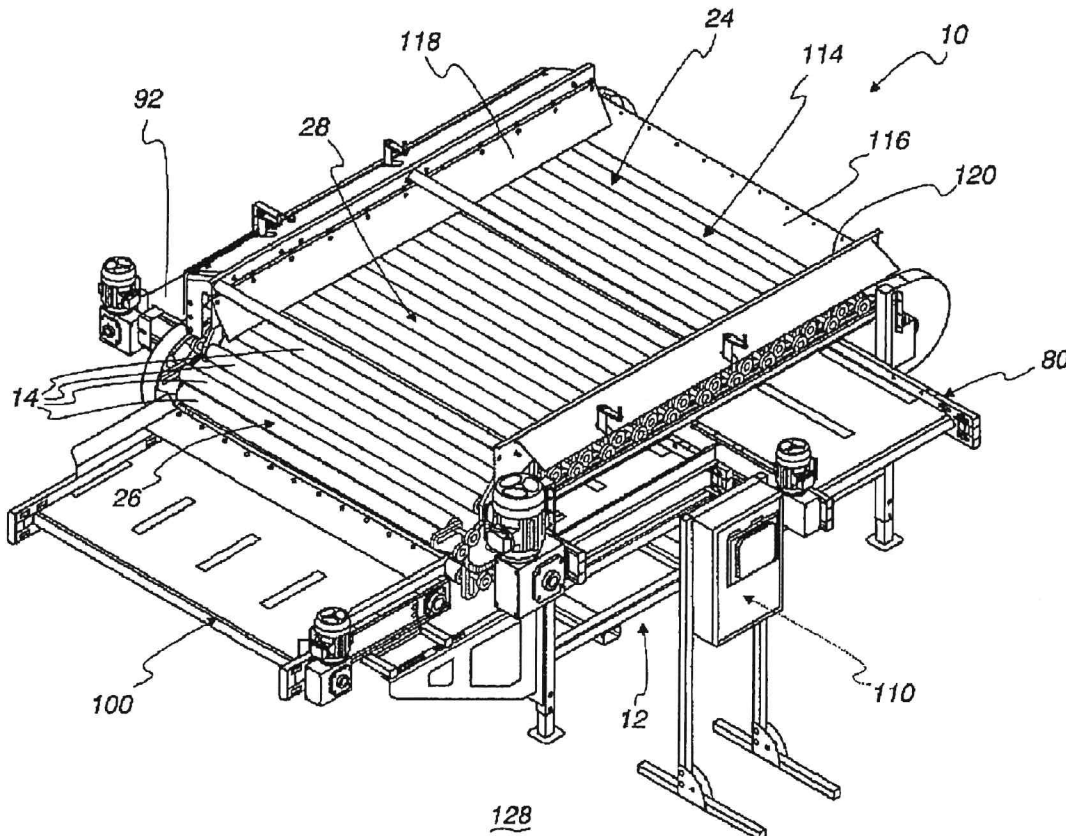




(22) Date de dépôt/Filing Date: 2014/01/15
(41) Mise à la disp. pub./Open to Public Insp.: 2014/07/16
(30) Priorité/Priority: 2013/01/16 (US61/753,065)

(51) Cl.Int./Int.Cl. *B07C 5/04* (2006.01)
(71) Demandeur/Applicant:
CRARY INDUSTRIES, INC., US
(72) Inventeur/Inventor:
NILSON, MICHAEL A., US
(74) Agent: FINLAYSON & SINGLEHURST

(54) Titre : DISPOSITIF DE CALIBRAGE POUR ARTICLES AGRICOLES
(54) Title: AGRICULTURAL ARTICLE SIZER



(57) Abrégé/Abstract:

An agricultural article sizer with a frame assembly and a plurality of elongate rollers on the frame assembly with substantially parallel lengthwise axes and through which agricultural articles are advanced and separated by size. First and second of the rollers have



(57) **Abrégé(suite)/Abstract(continued):**

first and second axes and first and second peripheral surfaces. A third roller has a third peripheral surface and a third axis between the first and second axes along a conveying direction. The third roller is movable selectively relative to the first roller to change a spacing between the third axis and a plane containing the first and second axes to thereby change a dimension of a gap between the first and third peripheral surfaces to thereby allow passage through the gap of different selected ranges of agricultural article size.